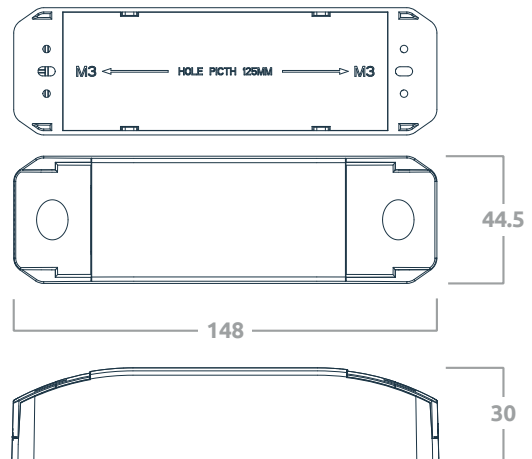


Dimensions

Mounting options	Independently mounted control for surface mounting
Fixing centres	125 mm
Dimensions	148 / 44.5 / 30 mm



Product range

Order code	Description
zc-smart-blind	Wired / wireless blind controller, field mount

Specifications

Supply voltage	230 V ~ 50 Hz
Control system	Wired DALI-2 Wireless IEC62386-104 over Thread
Radio support	IEEE 802.15.4
Frequency band	2.4 GHz
Max radio tx power	+8 dBm
DALI line current	2 mA
Wiring	1 - 4 mm ² Strip 6 - 7 mm
Motor control	375 W / ½ HP 1.6 A inductive load
Operating temperature	0 to 55°C
Material	PC
Classification	Class II
Ingress protection	IP20

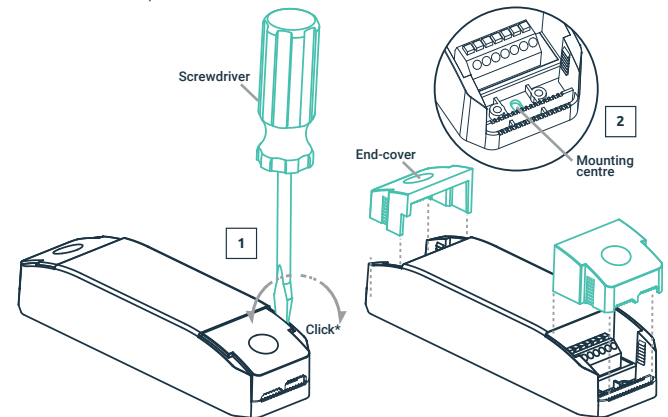
Installation

Remove the product from the box and inspect it for any damage. If you believe the product to be damaged or otherwise unsound, **do not** install the product. Please pack it back into its box and return it to the place of purchase for replacement.

If the product is satisfactory, proceed with the installation:

- 1 Ensure safety warnings are adhered to.
- 2 Release the two end covers using a flatblade screwdriver **fig 1**.
- 3 Mount driver, **fig 2**, and wire the as per the wiring diagram in **fig 3**.
- 4 Replace end covers to ensure adequate strain relief.

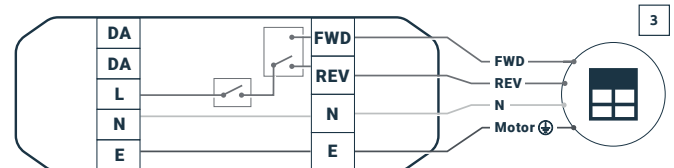
Note blind must have an appropriate MCB to protect the load circuit.



Safety information

- This product must only be installed by a licensed electrician.
- Before commencing installation turn off and isolate the electrical supply.
- There are no user serviceable parts, attempting to service any part of the product will void the warranty
- DALI is not SELV and as such should be treated as LV.
- As the installer, it is your responsibility to ensure you comply to all relevant building and safety codes. Refer to applicable standards for the relevant rules.

Wiring diagram

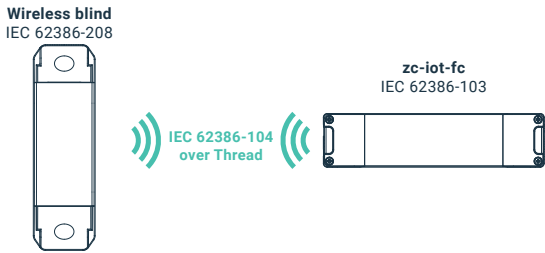


Wire preparation
1 - 4 mm²

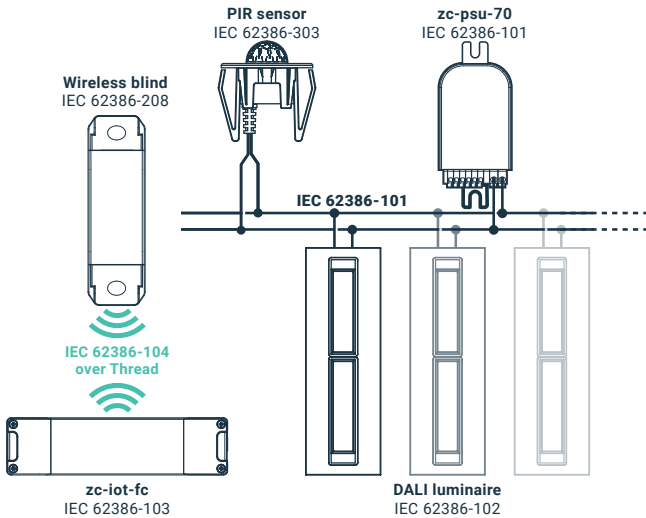


System overview: modes

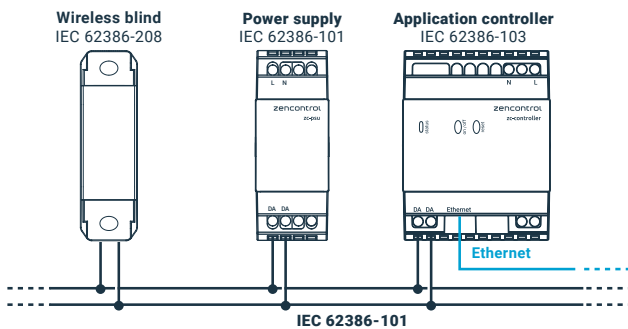
- 1 **104 mode** is enabled after the device has been added to a 104 application controller such as zc-iot-fc.



- 2 **104 + 101** Bridge mode is enabled after the device has been added to a 104 controller and a 101 power supply has been connected to the DALI terminals.



- 3 **101 mode** is enabled after a 101 power supply has been connected to the DALI terminal and the device **has not** been added to a 104 application controller.



Calibration procedure

To configure the zc-smart-blind to work with the blind-motor correctly the following calibration sequence must be followed after installation:

- 1 Send **off** command
- 2 Wait for the blind to be completely closed
- 3 Send **recall max** command
- 4 Wait for blind to be completely open
- 5 Repeat the steps 1-4

Note the limit setting on the blind motor must be set according to the specific manufacturers instructions before commencing calibration.

Notice



For more information on compliant software see our website zencontrol.com